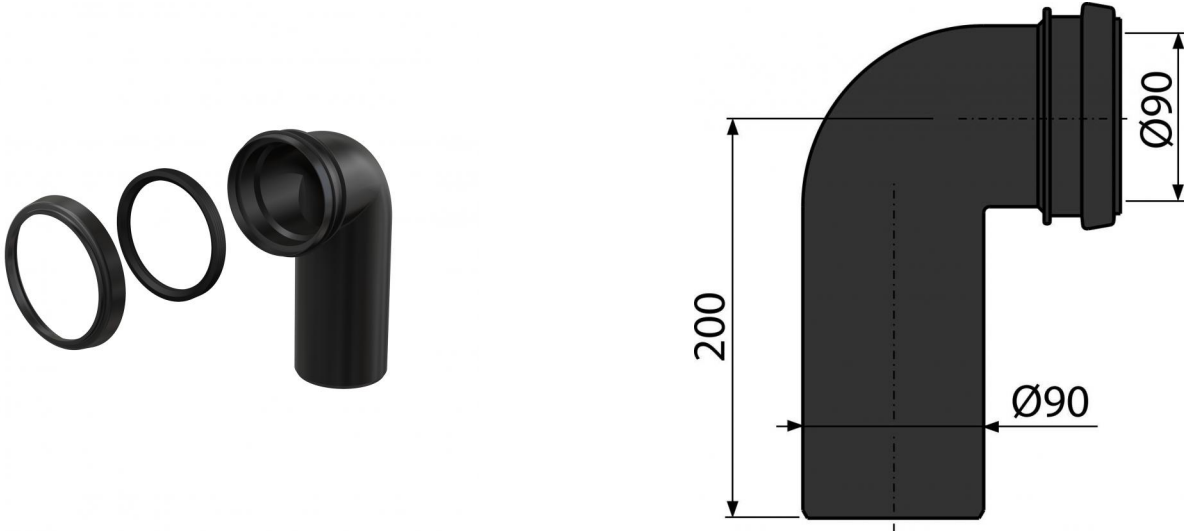


**M908**

Elbow waste connector set DN90/90

**Application**

For pre-wall installation systems

To connect a wall-hung WC to vertical waste pipes

**Features**

- Material: polyethylene

**Scope of supply**

- Fixation ring
- Waste elbow connector DN90/90
- Seal

**Order number, Logistic information**

Code	EAN	Weight (kus   packing   palett)	Dimensions (piece   packing)	Quantity (packing   palett)
M908	8595580501907	0,3376   6,7520   128,0320 kg	245x180x90   590x430x390 mm	20   320 pcs

Guarantee	Customs code	Norms
2/2 years	39174000	EN 476