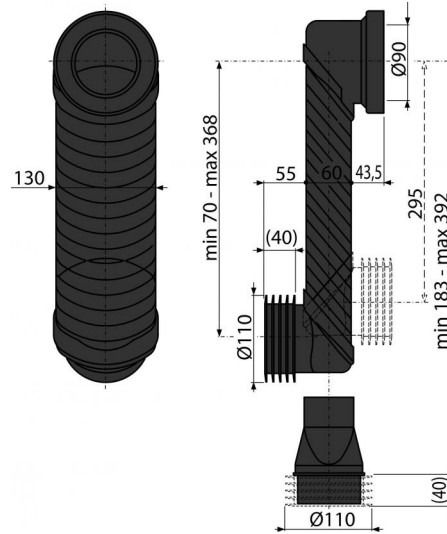


MS906

Elbow waste connector set DN90/110 Slim



Application

To connect wall-hung WC pans, used pre-wall installation systems Slim, to the waste pipe

Features

- Two connection options – side or straight
- Individual parts are glued with PVC adhesive
- Compatible with AM1101/1200
- Material: PVC
- You can adjust the length of the elbow as needed

Scope of supply

- Waste elbow SLIM top + bottom
- Waste wrapping seal DN90
- Reduction SLIM DN110
- SLIM pipe connection for waste not exceeding the thickness of the pre-wall installation system
- Wrapping seal DN90/100

Order number, Logistic information

Code	EAN	Weight (kus packing palett)	Dimensions (piece packing)	Quantity (packing palett)
MS906	8595580506940	1,1874 11,8740 209,9840 kg	170x158,5x130 590x430x390 mm	10 160 pcs

Guarantee 2/2 years
Customs code 39174000
Norms EN 476